

# ROBUST HIGH QUALITY FLOW MONITORS

PR1-SS &  
PR1M-SS



## Eletta Liquid Paddle Switch

control of flow or no-flow conditions

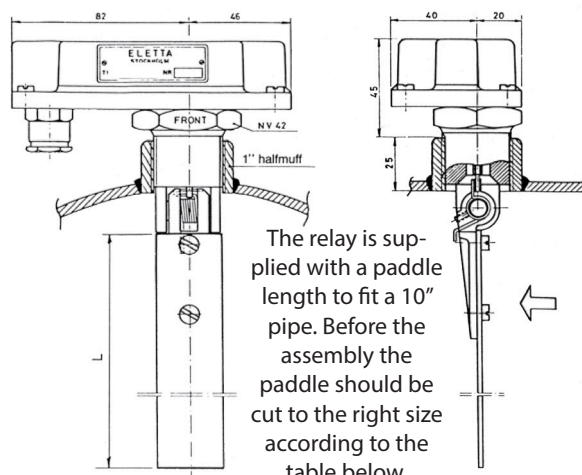
**PR1** Paddle Switch is using the liquid flow to activate the spring supported paddle and the micro-switch to give an alarm if the flow stops or starts. The installation is simple as you can cut the paddle to the desired length on site according to the actual pipe size. The paddle aligns fully with the flow and creates a very small pressure drop. The function works only in one flow direction.

# Specifications PR1 SS PR1M Marine certified



## Function

The Eletta PR1 Paddle Switch is using the liquid flow to activate the spring supported paddle and the micro-switch to give an alarm if the flow stops or starts. PR1 can be used in pipe sizes from DN50 to DN250 and the set point is dependent on the length of the paddle and the pipe size, please refer to the table below. The installation is simple as you can cut the paddle to the desired length on site according to the actual pipe size. The paddle aligns fully with the flow and creates a very small pressure drop. The function works only in one flow direction. Wetted parts is made of Copper Alloy and Stainless Steel and the sealing of Nitrile (HNBR).



## Specification

Wetted material	SS 316
Sealing Material	FPM
Max. pressure	25 bar
Max. temperature	+180°C(ambient)
Min. temperature	+120°C)
Protection class	-20°C
Process connection	Standard IP65 25 mm thread (1" BSP or NPT)(through pipe wall)
Pipe Sizes	DN50–DN250
Switch	Microswitch SPDT 1-pole 2-way
Breaking capacity at inductive or resistive load	250 VAC 16 A 24 VDC 1 A 48 VDC 0,2 A 110 VDC 0,02 A

## Marine Certification

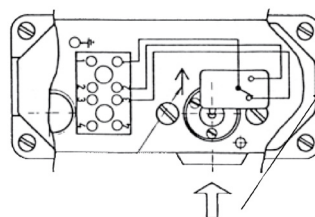
The PR1 flow switch is certified for marine applications according to DNV rules for classification – Ships, offshore units, and high-speed and light craft. It has received type approval from DNV for installation on vessels classed by DNV. The product complies with the requirements for temperature class D, humidity class B, vibration class B, EMC class B, and enclosure class C. The certificate number for this approval is TAA00003MD.

## Mounting

The PR1 is position dependent and can only be mounted in a horizontal pipe with the connection box in an upward position. Please make sure that the flow direction is according to the arrow placed inside the connection box. A straight run free from bends and valves of 3 pipe inner diameter up- and downstream is recommended for proper function.

## Function test in water

Dimension	Switch-on value l/min appr.	Switch-on value l/min appr.
DN 50	> 125	< 75
DN 65	> 150	< 100
DN 80	> 200	< 150
DN 100	> 300	< 200
DN 150	> 350	< 250



When installing make sure that the flow direction is in accordance with the arrow.

## Max Length Paddle

Pipe sizes	L mm	
2"	50	22
2 1/2"	65	38
3"	80	52
4"	100	75
5"	125	100
6"	150	125
8"	200	175
10"	250	200

Eletta Flow AB

Box 5084, SE-141 05 Kungens Kurva, Sweden Tel. +46 8 603 07 70

• info@eletta.com • www.eletta.com

30D1E26